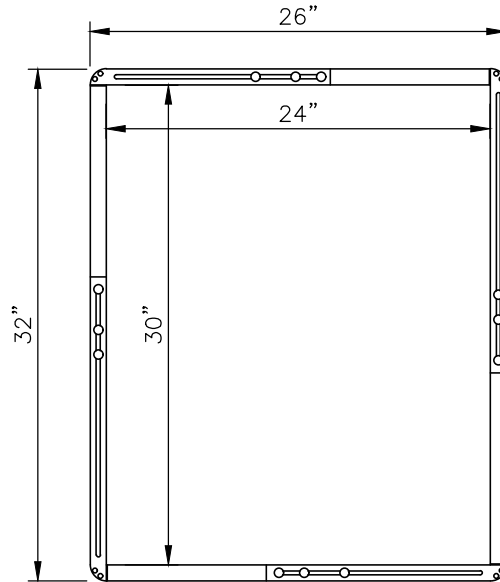
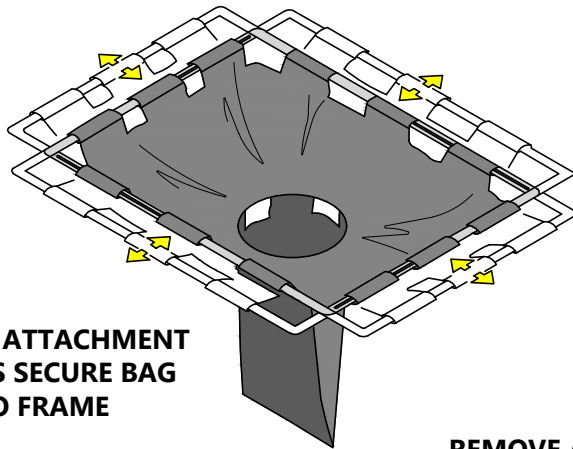


**ADJUSTABLE FRAME  
MINIMUM INLET SIZE  
(14"X18")**

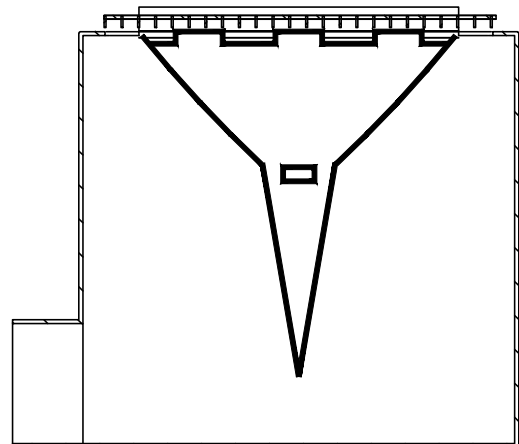


**ADJUSTABLE FRAME  
MAXIMUM INLET SIZE  
(24"X30")**



**VELCRO ATTACHMENT  
STRAPS SECURE BAG  
TO FRAME**

**REMOVE AND  
REPLACE BAG WHEN  
FULL OF SEDIMENT**



Ultratech International, Inc.  
11542 Davis Creek Ct, Jacksonville, FL 32256  
**800-764-9563**  
<https://spillcontainment.com/>

**ULTRA-DRAIN GUARD  
ADJUSTABLE FRAME MODEL WITH BAG**

THE INFORMATION CONTAINED IN THIS DRAWING IS THE SOLE PROPERTY OF ULTRATECH INTERNATIONAL, INC. ANY REPRODUCTION IN PART OR AS A WHOLE WITHOUT THE WRITTEN PERMISSION OF ULTRATECH INTERNATIONAL, INC. IS PROHIBITED.

DATE 3/20/2023  
SCALE NTS